

COPY RIGHT



ELSEVIER

SSRN

2021 IJIEMR. Personal use of this material is permitted. Permission from IJIEMR must be obtained for all other uses, in any current or future media, including reprinting/republishing this material for advertising or promotional purposes, creating new collective works, for resale or redistribution to servers or lists, or reuse of any copyrighted component of this work in other works. No Reprint should be done to this paper, all copy right is authenticated to Paper Authors

IJIEMR Transactions, online available on 26th Dec 2021. Link

[:http://www.ijiemr.org/downloads.php?vol=Volume-10&issue=Issue 12](http://www.ijiemr.org/downloads.php?vol=Volume-10&issue=Issue 12)

10.48047/IJIEMR/V10/ISSUE 12/35

TITLE: STUDY ON VARIOUS SENSORS BASED AIR AND WATER QUALITY SUPERVISING USING IOT

Volume 10, ISSUE 12, Pages: 251-255

Paper Authors Mrs. Tirumalasetti Supraja1, Chitturisaisujitha2, Dasari Parimala Sree3, Challagolla Saisurendranadh Chowdary4, Yenugula Sai Kireeti5



USE THIS BARCODE TO ACCESS YOUR ONLINE PAPER

To Secure Your Paper As Per **UGC Guidelines** We Are Providing A Electronic Bar Code

STUDY ON VARIOUS SENSORS BASED AIR AND WATER QUALITY SUPERVISING USING IOT

Mrs. Tirumalasetti Supraja¹, Chitturisaisujitha², Dasari Parimala Sree³, Challagolla Saisurendranadh Chowdary⁴, Yenugula Sai Kireeti⁵

¹Assistant Professor, Department of ECE, Ramachandra College of Engineering.
^{2,3,4,5} Students, Department of ECE, Ramachandra College of Engineering.

ABSTRACT:

This task describes air and water first-rate tracking gadget on aquatic shape is mainly grounded completely on Arduino platform and a multi canal sensor variables are interconnected and wherein the sure sensing parameters of temperature, humidity, fuel line and salt are measured and in addition to extremely sonic sensor is measured with the below water obstacle. The sensing information may be stored at the reminiscence of the floor drone, and finished with an internet server information base. Thus the sensor linking with the Arduino board with a couple of sign turned into constrained modules to be completed. The Embedded C software program scripts have been evolved for you to values may be taken from the sensors and add a nearby garage information base. The nearby garage may be related to a server setup applied on arduino greethe usage of sensing values reproduced, In which the net sever information will constantly reform while ever there are adjustments withinside the sensor values. And additionally one GUI arduino utility is evolved. The utility get entry to the server database and the expect readings constantly up to date for a gadget administrator. Additionally android utility may be prolonged to be utilized with inside the humans operating region for information conceive and statistical analysis.

The most important goal of the gadget is to layout and advanced low value and strong gadget as a way to display water first-rate trouble for consuming water and on-line multisensor measurements on the nearby level and is advanced to evaluate

water infection risk. The ordinary capabilities of the gadget structure are a microcontroller has been used for collecting information from the sensors. The device includes turbidity sensor, PH sensor, temperature sensor that is interfaced with Arduino nano.

INTRODUCTION:

Water is a restrained resource within the global and is crucial for agriculture, enterprise and for creatures lifestyles in the world inclusive of human beings. This assignment came about due to restrained water resource and developing the population, getting older infrastructure etc. Hence, therefore, there's a want for higher methodologies for tracking the water high-satisfactory. Air pollutants is a combination of solid destruction and exhaust within the airborne. Vehicle emissions, synthetic mixtures from work environment, leftovers, dust and form spores can be suspended as trash. Triatomic allotrope of oxygen, is a really a piece of air contaminations in urban communities. At the point when ozone administrative work air toxins, it is also called brown haze/steam. Some air contamination are harmful. Poor air high-satisfactory has dangerous consequences on human health, specifically the respiration and cardiovascular systems. Pollutants also can harm vegetation and buildings, and smog or steam can less visibility of human.

EXISTED WORK:

The humility of water resource and air pollution has come to be a now no longer unusual place problem. The traditional strategies of monitoring consists of

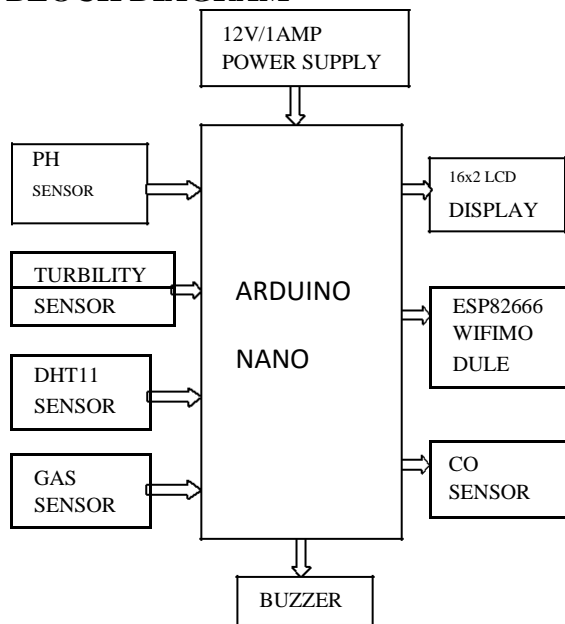
the manually collection of water and air tests for particular locales and districts. These examples are tried withinside the research facility utilizing thorough abilities. Such techniques are tedious and aren't to be viewed as proficient. Also, the advanced strategies envelop concentrating on a few types of boundaries of uncommon related to physical and substance. The classic methodology of remarkable location and verbal trade is tedious. Low accuracy and expensive. In this way, there might be a requirement for non-hinder observing of water and air incredibleframework in actual moment. In

previous strategies there are using only on individual monitoring with the identical location.

REMEDY TO THE PROBLEM

By the utilization of this endeavour, the toxins level of the air and water might be choOsen by the method for assessing the qualities gained from the machine with edge upsides of ordinary water. On the off chance that there are any deviations from the qualities, the specialists of associations can make significant moves.

BLOCK DIAGRAM



HARDWARE REQUIREMENTS

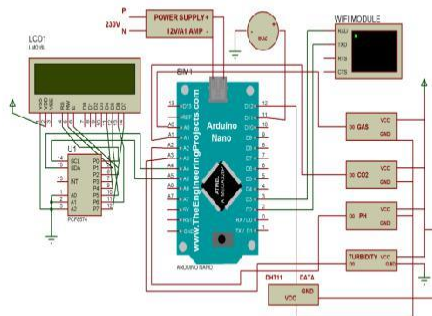
Arduino Nano : Arduino Nano is a small, complete, and breadboard pleasant and designed with small dimensions. essentially founded absolutely on simple to-utilize equipment and programming. Arduino gatherings are equipped for look at inputs



16x 2 LCD Display: A LCD is an advanced show module that utilizes fluid precious stone to give a seen picture. The sixteen x 2 LCD show is a totally essential module by and large used in circuit yield. The sixteen x 2 deciphers a demonstration of sixteen characters in accordance with a line in 2 such lines. 16x2 LCD approach might show sixteen characters in accordance with line and there are 2 such lines.



CIRCUIT DIAGRAM



ESP8266 WIFI Module :The ESP8266 WIFI Module is an independent SOC with an unsegregated TC/IP treaty stack that might convey any microcontroller get admission to your WIFI arrangement. The ESP8266 can both web site facilitating an appeal or offload all Wi-Fi organizing capacities from each and every other utility

processor.



DHT11 Sensor: DHT11 (Digital Humidity and Temperature) sensor is commonly used temperature and humidity sensor. Moistness is the proportion of water fume attendance in the air. The level of mugginess in air dominates different physical, compound, and natural cycles. For judging temperature this sensor utilizes a negative temperature co-effective thermistor, which cause an abatement in its opposition esteem with an growth in temperature. The temperature scope of DHT11 is from 0 to 50 degrees Celsius with 2-degree precision. The mugginess scope of this sensor is from 20 to 80% with 5% exactness.



Turbidity Sensor: Turbidity sensor senses the amount of moderate that is scattered thru manner of way of the on hold robust in aquatic. As the quantity of Whole On hold Solids (TSS) in water increases, the water rises, the water's turbidity diploma increases. This mechanism is particularly clean as moderate can be blocked thru manner of way of particles suspending withinside the liquid. The turbidity can be measured thru manner of way of detecting the amount of moderate going thru the liquid sample. The turbidity unit is measured in NTU (Nephelometric Turbidity Units) that is worldwide standard. Turbidity is a degree of water readability in streams, Rivers,

Lakes and the Oceans. Turbidity sensor describes the quantity of light distributed or put off particles in a water sample



CO Sensor : A Carbon Monoxide fuel line detector or CO detector is a tool that detects the presence of the Carbon Monoxide fuel line withinside the air to save you Carbon Monoxide poisoning. The output readings are analog voltage. The sensor can measure concentrations of 10 to 10,000 ppm. The sensor can function at temperature from -10 to 500c and consumes much under a hundred and fifty mA at 5V.



Gas Sensor : The MQ6 is an easy to-utilize melted petrol gas (LPG) sensor. It very well may be utilized in gas spillage recognizing gear. This sensor has high responsiveness and quick reaction time. The sensor's result is a simple opposition. The drive circuit is extremely basic; you should simply control the warmer loop with 5V, add a heap opposition, and interface the result to an ADC.



Buzzer :A buzzer or beeper is an audio signaling device, which may be mechanical or electromechanical. Buzzer sensor is a passive buzzer. Like a speaker, it needs voltage with different frequency. So, that it can make sound accordingly



PH Sensor :A PH Sensor is one of the maximum crucial equipment that generally used for water measurements. This form of sensor is capable of degree the quantity of alkalinity and acidity ion water and different solutions. When used correctly, PH sensors are capable of make sure the protection and first-rate of a product after which manner the water management. In maximum cases, the usual pH scale is represented with the aid of using a fee that may variety from 0-14. When a substance has a pH fee of seven, that is taken into consideration to be impartial Substances with a pH fee above seven constitute better quantities of alkalinity while materials with a pH fee that's decrease than seven are believed to be extra acidic. For instance, toothpaste generally comes with a pH fee of 8-9. On the alternative hand, belly

acid has a pH fee of two.



Power Supply A Power deliver is an electrical tool that elements electric powered electricity to an electrical load. The predominant cause of a electricity deliver is to transform electric powered modern from a supply to the right voltage, modern, and frequency to electricity the load. As a result, electricity elements are on occasion known as electric powered electricityconverters.

SOFTWARE REQUIREMENTS

Embedded C for programming :Embedded C is maximum famous programming language in software program area for growing digital gadgets. Each processor utilized in digital machine is related to embedded software program. Embedded C programming performs a key function in appearing particular feature through the processor.

Arduino IDE :The Arduino Integrated Development Environment - or Arduino Software (IDE) - incorporates a textual content editor for writing code, a message area, a textual content console, a toolbar with buttons for not unusual placefeatures and a sequence of menus. It connects to the Arduino hardware to addapplications and speak with them.
UBIDOTS Server : Ubidots is an IoT Platform empowering innovators and industries to prototype furthermore, scale IoT tasks to creation. Utilize the Ubidots stage to send information to the cloud from any Internet-enabled device.

APPLICATIONS

- ✓ Industrial water invigilating
- ✓ Waste water supervising system
- ✓ Drinking water plants
- ✓ Air pollution monitoring



- ✓ Water bodies and Rivers

REFERENCES :

- Shruti Sridharan Water Quality Monitory Svstem Using Wireless Sensor Network - International Journal of Advanced Research Electronics and Communication Engineering(JARECE) Volume 3, Issue 4, April 2014.
- Kiran kumar G. Sutar Prof. Ramesh T. Patil Wireless Sensor Network System to Monitor TheFish Farm - Journal of Engineering Researchand Applications Volume 3, Issue 5.Sep-Oct 2013.
- R. Karthik Kumar, M. Chandra Mohan, S. Venkateshapandiyam, M. Mathan, R. Eswaral, Solar based advanced water quality monitoring system using wireless sensor network - International Journal of Science, Engineering and Technology Research (IJSETR), Volume 3, Issue3, March 2014.