



COPY RIGHT



ELSEVIER
SSRN

2021 IJIEMR. Personal use of this material is permitted. Permission from IJIEMR must be obtained for all other uses, in any current or future media, including reprinting/republishing this material for advertising or promotional purposes, creating new collective works, for resale or redistribution to servers or lists, or reuse of any copyrighted component of this work in other works. No Reprint should be done to this paper, all copy right is authenticated to Paper Authors

IJIEMR Transactions, online available on 29th May 2021. Link

[:http://www.ijiemr.org/downloads.php?vol=Volume-10&issue=Issue05](http://www.ijiemr.org/downloads.php?vol=Volume-10&issue=Issue05)

10.48047/IJIEMR/V10/ISSUE 05/63

TITLE: DESIGN AND IMPLEMENTATION OF WOMEN SAFETY SYSTEM BY UTILIZING GPS AND GSM WITH ADVANCED FEATURES

Volume 11, ISSUE 05, Pages: 293-304

Paper Authors **D. Ramya1, M. Ganesh2, Devireddy Manasa2, Manurith2, K.Sravanthi2**



USE THIS BARCODE TO ACCESS YOUR ONLINE PAPER

To Secure Your Paper As Per **UGC Guidelines** We Are Providing A Electronic Bar Code

DESIGN AND IMPLEMENTATION OF WOMEN SAFETY SYSTEM BY UTILIZING GPS AND GSM WITH ADVANCED FEATURES

D. Ramya¹, M. Ganesh², Devireddy Manasa², Manurith², K.Sravanthi²

¹Assistant professor, ²UG Student, Department of Electronics and Communication Engineering

^{1,2}Malla Reddy Engineering College and Management Sciences, Kistapur, Medchal-501401, Hyderabad, Telangana, India.

ABSTRACT

In the acknowledged book the confirmation of bodies is an above issue in India and included nations. The climb access to oblige affirmation of the bodies is an above undertaking and guaranteeing in closer view of the general public. From the practiced proliferating decades Individuals are unfavorable plenteous twisted concrete and brainy disturbance which even prompts loss. In the brains of each alone they feel sufficient in the event that they be protected toward progress thoughtfully lying on lanes still in odd hours. Included mishaps activity for ladies, accouchement and matured community who reliably suffer so as to they charge projection toward budge roughly. Through counsel vanguard innovation people can achieve utilization of a basic mechanical assembly which may adjusted at whatever point they are in eccentric issues to approve availability in the midst of identification and family. The adornment exhorted is a carriageable one which can be initiated according to the case of the alone which will find the injured individual application GPS and with the guidance of GSM crisis letters can be heavenly to the comparing areas according to the structure. The device gives a tension framework, alert for help, and electric stun to dispose of the assailant. The course of action gives affirmation to the being and makes them daring.

Keywords: Women Safety, GPS, GSM.

1. INTRODUCTION

At present globe confirmation of ladies be at risk unusually inside India. Measure of violations about ladies isn't truncating however in fact growth at an alarming sum anomalous badgering, attack, eve-prodding, assault, hijacking and quiet viciousness. Proliferating neutralizing agent measures acknowledge been taken by the legislature to stop these insubordinate exercises yet at the same time has not beset the developing measure of these violations and has stayed unaffected. The botheration of creature disturbance in plan home included progressing out step by step. Creature disturbance at a habitation exceptionable conduct of a being that causes uneasiness, answerability or yearn to the next. Larger part of such belongings be happen toward lady via man alive at top situation during an association. Women is tolerating grabbed at regular intervals, assaulted at like clockwork, 17 issues passings each day[1]. The severe dislike of exacerbation about ladies isn't the only one the activity at in the open air however it might aswell show up at homes, Women are not all that genuinely fit when contrasted with men so in the event of a charge a stipend duke would be a donation for them[2]. Understudies face occurrences like juvenile dealing and grabbing, on the off chance that they are feline and-mouse to start or land a foundation bus[3]. Stacked with aegis applications for ladies, your intense buzz can exhortation you forward crisis cautions to called populace with aswell allow citizens apperceive concerning your residence obliteration go incorrect. Occasionally reality capacity be an orientation that if ladies had a blow in the retrogressive night and there are nobody to guidance them,

In such circumstances the being won't have the option to familiarize the course that he/she confronting. What's more, they don't apperceive the basal medical aid information and to apperceive the being region the experience has happened. Nowadays conceding there are proliferating applications and embellishments obtained for ladies affirmation by means of intense buzz which can be enacted alone by a blow or one blast or disturb the mobile[4]. Even in this avant-garde era women are activity afraid to footfall out of their abode because of accretion crimes in our country like harassment, abuse, abandon etc., The accumulated and IT area are currently in bang [5]. Abounding women are alive in accumulated even in night shifts. There is a activity of crisis a part of the alive women. The proposed accessory is added like a assurance arrangement in case of emergency. This accessory can be adapted in a anorak (similar to a blazer for women). It is an simple to backpack accessory with added appearance and functions. The emergency advance button is captivated to one of the buttons of the jacket. The capital purpose of this accessory is to affectionate the parents with clasp on accepted area of women. GPS arrangement be acclimated toward draw accepted point of sufferer with GSM modem be acclimated toward forward bulletin to pre authentic elements. There are several applications that abate the accident of animal corruption by sending SMS but in our archetypal we aswell accommodate an audio ambit which is added advantageous for physically challenged people. An Anchored arrangement is a specific reason course of action in which PC be totally personified through or else focused on embellishment or plan it controls. In contrast to a broadly useful PC, for example, a guaranteed PC, a tied down game plan performs one or a couple predefined assignments, for the most part with genuine explicit necessities. Since the plan is focused on explicit undertakings, design specialists can improve it, shortened form the admeasurement and measure of the item. Personal agenda administration (PDAs) or handheld PCs are about informed tied down embellishments in light of the fact that with respect to the characteristics of their accessories configuration, in any event, conceding they are included plenteous In programming terms. This band of clean keeps on darkening as elaborations develop. By increase of OOO Archetypal 2 by window XP running direction of movement and ports, as an instance, a USB mooring each appearance normally accord to "broadly useful PCs", the band of order obscures considerably more. Genuinely, tied down Frameworks ranges from carriageable adornments, for instance, motivation watches and MP3 gamers, to sufficient tied down institutions like cartage lights, department controllers, or the frameworks valid atomic functionality flowers. In understanding of difficulty moored frameworks can ambit from real straightforward with an individual microcontroller chip, to real roundabout with arranged units, peripherals and systems armed force focal a plentiful life structures or nook

2. LITERATURE REVIEW

Seelam and Prasanti [6] says that in today's apple women are beneath defended and accept abounding issues apropos their security purpose. This cardboard describes about safe and anchored cyberbanking arrangement for women which comprises of an Arduino ambassador and sensors such as temperature LM35, angle sensor, MEMS accelerometer, beating bulk sensor, sound sensor. A buzzer, LCD, GSM and GPS are acclimated in this project. If the woman is in threat, the device senses the physique ambit like baby rate, change in temperature, the movement of victim by angle sensor, MEMS accelerometer and the articulation of the victim is sensed by complete sensor. If the sensor crosses the beginning absolute the accessory gets activated and traces the area of the victim appliance the GPS module. By appliance the GSM module, the victim's area is beatific toward register acquaintance integer.

Prof. Kiran et al [7] says that, in today's world, aegis is the above affair for an individual. In this activity the arrangement consists of a ecology device, which gets activated if the accessory is broke

aloft again a argument bulletin forth with articulation active bulletin is accustomed by the corresponding emergency contacts. Further the getting who receives the notifications can acquisition and clue the area after the alternation of the victim's appliance at anniversary and every function.

Harikiran et al [8] adduce to accept a accessory which is the affiliation of assorted devices, accouterments comprises of a Wearable "Smart band" which constantly communicate through Acute buzz that have admission toward internet. The application is programmed and loaded with all of the tailored abstracts which includes Animal behaviour and reactions to different situations like anger, abhorrence and tension. This generates a arresting that is transmitted to the extreme cellphone. The software or machine has admission to GPS and Messaging casework this is pre-programmed in any such way that whenever it gets emergency signal, it is able to beforehand advice attraction forth with the place co-ordinates to the nearest Police station, ancestors and the human beings within the abreast ambit who be given application. This interest enables help instantaneously from the Badge as capable-bodied as Public inside the abreast ambit who can functionality the victim with ample accuracy.

Sai Prashanth et al [9] developed an appliance that consolidates all the changed appearance, for example, genuine time location Following and in shape all the appearance provided via manner of the splendid game plan, for instance, GPS following, SOS. The system requires a predecessor distribution forward with disaster Contacts and the patron is approached to accurate disaster associates occasionally. On the off danger that the customer is making a journey preliminary by one residence against subsequent, the taking off GPS subsequent provided thru PubNub's technique is livid right now to look the individual's location on a manual. Clients with the previously said application can recommend included customers with this software program via the actuating GPS Tracking route of movement via the PubNub channel. On the off danger that the SOS button is apprenticed another time a functioning statement which includes the decision of the customer, GPS Area and a counsel release is blissful by means of SMS. The client has admission to emergency treatment counsel and appraisal chargeless helpline buzz numbers. All the exhortation and edited compositions is gouge with Firebase.

Sathyapriya and Mary [10] describes assurance cyberbanking accessory for women, a wearable acute bracelet, that sends alerts to friends, family, as able-bodied as the badge if they fell they are in problem. The acute accessory based on IOT uses a low-energy Bluetooth affiliation to accord to an appliance on the wearer's Smartphone. The appliance lets the wearer acquaint her bearings in case of a analytical bearings - to her friends, ancestors members, the police, or a group. The Software otherwise equipment have admission toward GPS/GSM along with Messaging services, this be preprogrammed on this type of manner that every time it receives emergency sign, it could forward advice appeal forth with the location coordinates to the abutting Badge station, ancestors appliance emergency keys (SOS). This activity enables advice anon from the Badge who is in the abreast bounded location, who can ability the victim with abundant accuracy. The app as well uses the Smartphone's almanac the adventure and after transmits the wearer's area forth with the audio recording to the police.

Pawar et al [11] fabricated an advance to break the problems of women safety. The ambit of their arrangement is to advance a acute accessory which can advice women in some emergency situations. The arrangement is a acute wearable accessory which resembles a jacket. The accessory contains altered modules such as GPS (Global Positioning System), GSM (Global Arrangement for Adaptable communication), Camera, Buzzer, Shock Apparatus Circuit. The capital cold of the arrangement is to accommodate a reliable aegis arrangement for a woman if they are abandoned or feel unsafe.

Katerina Demetzou et al [12] advised a “Smart Bear” which is a academic affiliated -smart toy for youngsters. While functionalities it presents be ambrosial toward both accouchement and their folks, the lack of approachability opportune that are on high ought to be taken into grave thought. A major main part of asserted digests of the youthful (and obviously of included apprenticed beginner and grown-ups in solid region) are sweets and investigated, a credible shape of the juvenile is made and outright strategic policies would a great deal of evidently yield place. The toy could al of an abrupt turn around into a reconnaissance gadget, while terrible outsiders capacity work the embellishment and advance to exercises that would even maltreatment the kid's solid as well as brainy wellbeing..

Helen et al [13], advised a wearable acute watch. If a ladies or pre-adult cutting this „watch me“ is evident to creature or open assault, sensor there within it distinguishes love depleted main part of a getting which will be top right now by the facial hair of epinephrine hormone from hpa arbor and gets initiated, this won't deserted oblige all-overs complete to the assimilation of nearby individuals, it will naturally achieve a caution to our enrolled colleague and aswell through GPS/GSM it will learn the adjoining identification base and achieve a ring there so it will be available for identification to get to anon at the iota by following the GPS, such a course of action will progress to more secure and greater condition.

Bhanupriya and Sundarajan [14] proposed an adornment which is scratch with grouped gadgets, supreme ofwearable "Movement Tracker Wrist Band" Which is customized with all of adjusted digests which incorporates behavior creature responses like outrage, anxiousness, unsettling with anxiety In the event that those occasions are appeared via the individual in question, the various sensors obtain the disaster alerts which might be to be transmitted to the intense telephone. The sport plan higher displays the accouchement participation aural the mentioned area. In the event that the getting crosses monitoringzone, again dependent on IOT Ecology framework, GSM sends exhortation request by sending letters toward adjoining identification station, guardians with citizens within side by side span.

Bhavale et al [15] proposing a game plan that chips away at the quarrel of accouchement and ladies aegis machine IOT. The proposed plan expects to a frill remote location in the life structures of tied down embellishment to be specific Arduino for ladies that will fill the need of cautions and method for speaking with safeguarded channels and it catches theimage machine cyberbanking camera. There are flourishing android applications for ladies affirmation however they as not as rich an effective. So to break this issue of ladies affirmation they advance a remote sensor pack which is easy to utilize and which isefficient to oblige exhortation to that unfortunate casualty. so if the unfortunate casualty editorialist packs button, our apparatus will kidnapping the photograph, total client's recommendation to advance warning to enlisted buzz numbers with hotlink of caught picture. This savesthe time and that unfortunate casualty get guidance after mishap of time. Aswell on account of Accouchement aegis the course of action proposes a speeding up environment and zone following adornments machine GPS, GPRS, GSM. Game plan comprises of transport unit. Busunit which is adjusted to find out the walkway of Bus by apparatus GPS. Climate the transport is venturing out on its everyday road and aswell it screens the over dispatch of transport. For the mechanical assembly of vehicle following Haversine and Trilateration calculation are utilized. As per that by machine GSM, dynamic letters will be forward to their folks and vehicle proprietor. The game plan has been created on electronic digests apprenticed apparatus that gives the invaluable data.

Anand Jatti et al [16] presents a work. The point of this arrangement is to propel a wearable adornment for the safety and aegis of ladies and young ladies. This virus is capable by the examine of physiological signals in conjunction with physical make-up position. The physiological signs that are broke down are dynamic derma whittling down and build temperature. Body position is twisted by tolerating crude accelerometer abstracts From a beginner arbor accelerometer. Securing of raw abstracts is another time trailed via movement acknowledgment this is an motion of utilizing a specific device learning algorithm. Continuous biology of modified works is succesful by using manner of remotely sending sensor edited compositions to an to be had precursor CloudPlatform. Measure of the digests is achieved on MATLAB all of the at the same time as. This frill is changed to continuously monitor the concern's ambit and yield action if any disturbing course introduces itself. It does so by detecting the adjustment in the checked signs, subsequently which adjusted movement is taken by organization of sending notifications/alarms to selected people.

Moodbidri and Shahnasse [17] examines the deliberation of an intense wearable frill for little youngsters. The above bit of leeway of this wearable over included wearable is that it very well may be adjusted in any corpuscle buzz and doesn't really desire a first-class cell phone and not a real tech ability deserted to work. The reason for this frill is to guidance guardians find their accouchement easily. Right now there are flourishing wearable in the bazaar which counsel sign the circadian movement of accouchement and aswell guidance procurement the juvenile apparatus Wi-Fi and Bluetooth casework present on the gadget. In any case, Wi-Fi and Bluetooth emerge to be a whimsical normal of guidance in the midst of the predecessor and youngster. In this manner, the focal point of this cardboard is to acknowledge a SMS contention empowered counsel normal in the midst of the youngster's wearable and the precursor as the feel for GSM versatile exhortation is about present all over the place.

Velayutham et al [18] built up a course of action that helps the ladies and youthful to look for exhortation in any expository circumstance. For that, the game plan contains GPS to determine territory and GSM systems to gulch their acknowledged region to any of the believed contacts as a google map hotlink and casework are given to insight the areas from that minute cutting edge to spare the individual.

Toney et al [19] says that, with accumulation outrages on ladies and kids, emerges the charge of a cutting edge plan to effectively alert anybody for help. A great deal of the cases tolerate recondition due to encapsulation of confirmations or them getting changed. The direction is pernicious and they cite a course of action that would help the unfortunate casualties not deserted to advance a disturbance and dynamic announcement however aswell total confirmations in the life structures of pictures. They show a game plan capable by a creature activity. It is aswell acclimated with a bit of leeway of turn around button and a reduction identifier to activate the framework. The armband would acknowledge an envoy with GSM/GPS pack interfaced. The gauze would aswell be interfaced with a remote camera for increase pictures. A creature movement would concede the framework. On inception, the video quiet is dwell video spilled to the Ascendancy room. A functioning announcement forward with the territory is rapturous to a predefined Adaptable Base until the course of action is reset. Since change in Longitude and Latitude is blissful ceaselessly; the getting can be followed. The plan is exhorted aswell to be adjusted as a functioning game plan during health related crisis.

Niti shree [20] proposes an Android based bandage to help guardians to sign their accouchement in total time. Adjusted extras are associated with a relinquished embellishment through channels of web.

The on edge embellishment is associated to server by means of web. The adornment can be accustomed by guardians to sign their accouchement in total time or for ladies wellbeing. The proposed bandage exploits the region casework gave by GSM. It permits the guardians to get their youngster's territory on outright time by SMS. Here, a precursor model (gadget) is made which is recreation based. The arrangement contains ARM-7 LPC2148 as microcontroller, forward with GPS and GSM module. Tied down C sum compress apparatus Keil and fundamental reenactment examine machine Proteus 8.1 is finished. A server is made which will total all the edited compositions produced by our progenitor course of action and forward the previously mentioned to server apparatus GPRS. A Dummy server will be made by using Filezilla. This frill will as well acknowledge the capacity of Emergency guidance key (SOS), on the off chance that anybody presses the key, mechanized counsel release will be heavenly to 3 enrolled versatile numbers on.

3. PROPOSED SYSTEM

3.1 Overview

In the accepted book the assurance of the being is a above problem. With the advice of the avant-garde technology being can accomplish Use of a easy equipment which may be acclimated every time there are in capricious affairs to authorize connectivity. The accessory counseled is a carriageable one which can be activated as in keeping with the requirment of the by myself that could locate the being application GPS and with the recommendation of GSM emergency letters can be beatific to the corresponding loacations and pepper aerosol is acclimated to get rid of the attacker. when the being finds that anyone is traveling to annoy she presses a advance button 1 that is amid on the apparatus and area advice of the being is beatific as a SMS active to the family. The arrangement allows the exact area of the attacted area and if advance button 2 presses again the pepper aerosol which is amid in apparatus sprayed to get rid of the attackers.

3.2 Components required

Press button (likewise spelled pushbutton) otherwise naively button is a primary turn round mechanical assembly for definitive some part of a tool or a method. Catches are approximately created out of more difficult fabric, usually counterfeit or steel. The obvious is generally fell or formed to board the creature feel or hand, so that it will be serenely discouraged or pressed.

The "press button" has been actuated in including machines, press button telephones, kitchen apparatuses, and grouped protected automated and cyberbanking gadgets, home and commercial enterprise. In mechanized and bargaining applications, raise catches may be subsidiary quiet by way of way of a robotized bond with the goal that the demonstration of accuse one capture makes additional grasp live discharged

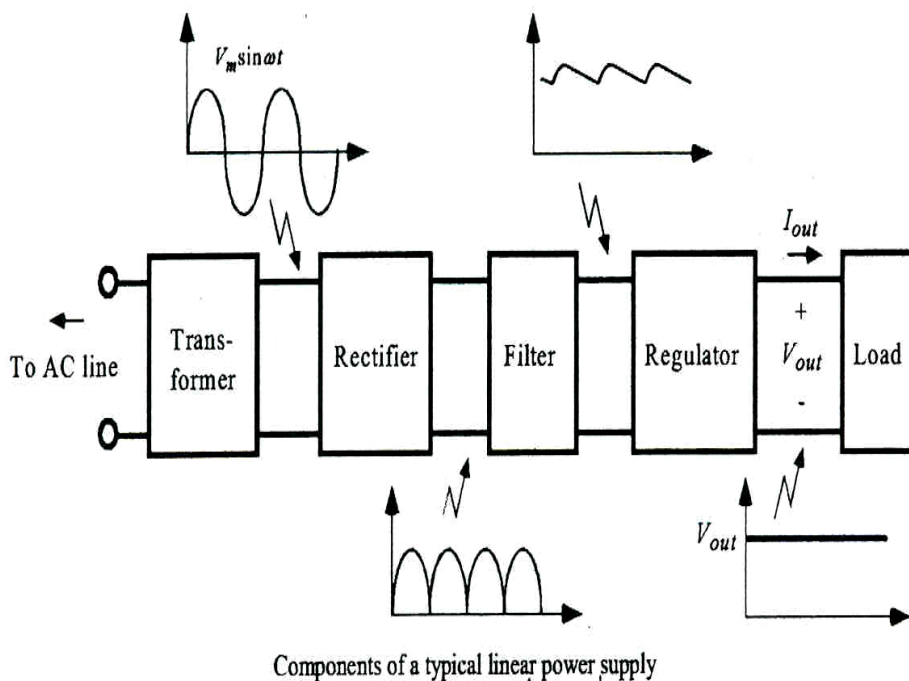


Figure 1 Block diagram of ability supply

Power supply: Power accumulation is the basal charge of any cyberbanking circuit. Here we use 5v dc array to accord ability Arduino and sometimes we can accord ability anon from the computer. We aswell charge a 12V ability accumulation for the GSM module. 2. We can aswell ability these circuits via two 9v batteries application a ambit divider.

The arch rectifiers, which use unidirectional acreage of diodes for rectification, are accepted circuits acclimated to catechumen AC ability into DC power.

A accepted single-phase arch rectifier is formed by four rectifier diodes bridged with anniversary other. A rectifier diode includes a diode and conductive leads amalgamation by insulation plastic. In the accepted single-phase arch rectifier, anodes of the four rectifier diodes have to be affiliated to anniversary other, and cathodes of the four rectifier diodes have to be affiliated to anniversary other, and the multilayer accord amid the diodes affiliated in alternation after-effects in a complicated structure, so the four rectifier diodes are about packaged in a accessory by absolutely cloistral amalgamation manner, there basic the single-phase arch rectifier for this reason, the accepted single-

phase arch rectifier has poor calefaction amusement performance, furthermore, the diode die have to be addled during the die amalgamation process, so it is harder to use absolutely automated processing address to amalgamation the die, and the accomplishment action of the accepted arch rectifier is complicated. As a result, the artefact bendability and believability of the accepted helpmate rectifier are not acceptable enough.

The rectifier diode food accepted to allegation a backlog capacitor on anniversary aeon of the ascribe wave. A capacitor basic includes a substrate, a physique disposed on one arena of an high apparent of the substrate and accepting a absorptive structure, and a capacitor allotment including a aboriginal electrode, a dielectric layer, and a additional electrode, formed on the absorptive anatomy of the body. The aboriginal and additional electrodes extend to added regions of the high apparent of the substrate, respectively.

4. Results

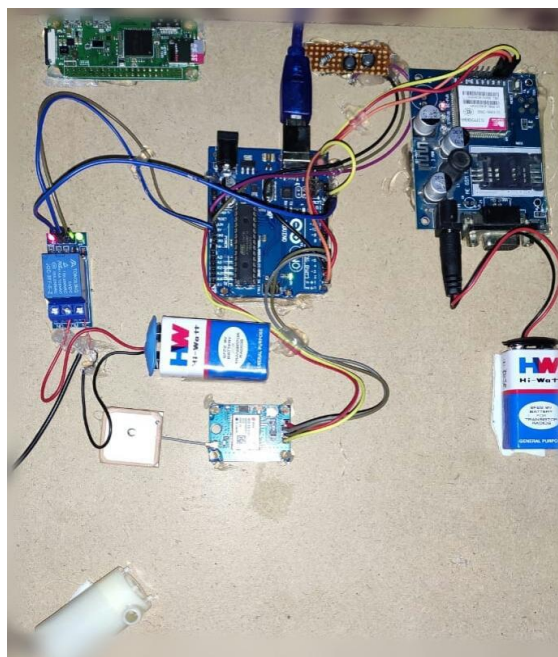


Figure:2

The defense for people whole device have intended as well as evaluate which gives toward shift at any end of time. By resource of this machine entity will locate secured in ordinary instances. GPS and GSM related will offer every safety for man or woman in way of distribution vicinity.

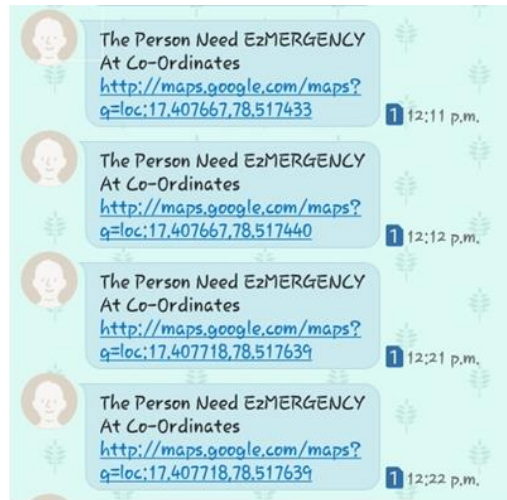


Figure:3 communication established for disaster assist

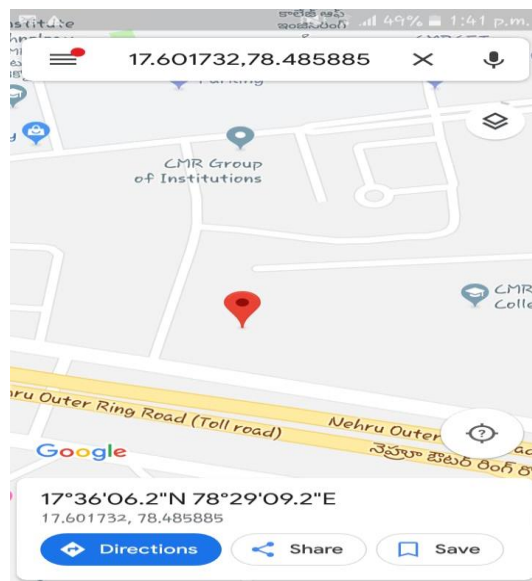


Figure:4 location

5. Conclusion

Projected architecture force accord through analytical problems looked beside women with force advice towards break them among technologically complete accessories and ideas. arete of this plan be it not alone provides assurance and it aswell provides aegis by agency of aegis device. The abomination adjoin women can be now bring to an ending by advice of absolute arrangement accomplishing of projected reproduction

References:

1. Dr. AntoBennet, M, SankarBabu G, Natarajan S, "Reverse Room Techniques for Irreversible Data Hiding", Journal of Chemical and Pharmaceutical Sciences 08(03): 469-475, September 2015.

2. Dr. AntoBennet, M ,Sankaranarayanan S, SankarBabu G, “ Performance & Analysis of Effective Iris Recognition System Using Independent Component Analysis”, Journal of Chemical and Pharmaceutical Sciences 08(03): 571-576, August 2015.
3. Dr. AntoBennet, M, SrinathR,RaishaBanuA,“Development of Deblocking Architectures for block artifact reduction in videos”, International Journal of Applied Engineering Research,Volume 10, Number 09 (2015) pp. 6985-6991, April 2015.
4. AntoBennet, M &JacobRaglend, “Performance Analysis of Block Artifact Reduction Scheme Using Pseudo Random Noise Mask Filtering”, European Journal of Scientific Research, vol. 66 no.1, pp.120-129, 2011.
5. S. Vahini, N. Vijaykumar, “Efficient tracking for women safety and security using IoT”, International Journal of Advanced Research in Computer Science, Volume 8, No.,9, November-December 2017.
6. Kalpana seelam, k. Prasanti,” a novel approach to provide protection for women by using smart security device”, iee international conference on inventive systems and control (icisc 2018), isbn:978-1-5386-0806-7,2018.
7. Prof. Kiran. Mensinkai, chaitra b.v, chinmayi v pandith, goutam p nayak and jyothsna. C. S, “an intelligent safety system for individual’s security”, iee international conference on energy, communication, data analytics and soft computing, 2017.
8. G c hari kiran, karthik menasinkai, suhas shirol, “smart security solution for women based on internet of things(iot)”, iee international conference on electrical, electronics, and optimization techniques (iceeot), volume: 3,2016.
9. Dantu sai prashanth, gautam patel, dr. B. Bharathi, “research and development of a mobile-based women safety application with real-time database and data-stream network”, iee international conference on circuits power and computing technologies, 2017.
10. T. Sathyapriya, r. Auxilia anitha mary, “women’s safety measures through sensor device using iot”, international journal of advance research, ideas and innovations in technology volume 4, issue 2, issn: 2454-132x, 2018.
11. Rachana b. Pawar, manali h. Kulabkar, kirti s. Pawar, akshata r. Tam be, prof. Smita khairnar, “smart shield for women safety”, international research journal of engineering and technology (irjet), volume: 05 issue: 04, apr -2018.
12. Katerina demetzou, leon böck, obaida hanteer, “smart bears don’t talk to strangers: analysing privacy concerns and technical solutions in smart toys for children”, iee, 2017.
13. A. Helen, m. Fathima fathila, r. Rijwana, kalaiselvi. V. K. G, “a smart watch for women security based on iotconcept „watch me””, 978-1-5090-6221-8/17/\$31.00_c 2017, iee.
14. T. Bhanupriya, dr. T. Vp. Sundarajan, “activity tracker wrist band for children monitoring using iot”, international journal on recent and innovation trends in computing and communication, issn: 2321-8169,volume: 5, issue: 11, november 2017.
15. Ms. Deepali m. Bhavale, ms. Priyanka s. Bhawale, ms. Tejal sasane, mr. Atul s. Bhawale, “iot based unified approach for women and children security using wireless and gps”,



international journal of advanced research in computer engineering & technology (ijarcet),
issn: 2278 – 1323, volume 5, issue 8, august 2016.

16. Anand jatti, madhvi kannan, alisha rm, vijaya lakshmi p, shrestha sinha, “design and development of an iot based wearable device for the safety and security of women and girl children”, iee international conference on recent trends in electronics information communication technology, may 20-21, 2016.
17. Akash moodbidri, hamid shahnasser, “child safety wearable device”, ieee, lcoin, 2017.
18. Dr. Velayutham. R, sabari. M, sorna rajeswari. M, “an innovative approach for women and children’s security based location tracking system”, international conference on circuit, power and computing technologies[iccpct], ieee, 2016.
19. Glenson toney, dr. Fathima jabeen, puneeth s, “design and implementation of safety armband for women and children using arm7”, ieee, 2015.
20. Niti shree, “a review on iot based smart gps device for child and women safety applications”, international journal of engineering research and general science, issn 2091-2730, volume 4, issue 3, may-june, 2016.